

SYM JOYRIDE 300 (2022)

3475/EX – 3478/DS – 3478/XDX att. 3477/E

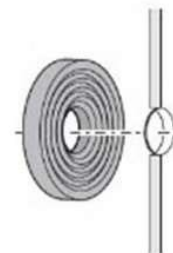


← 3475/EX

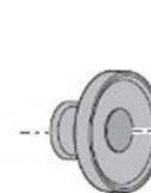


3478/XDX
3478/DS →

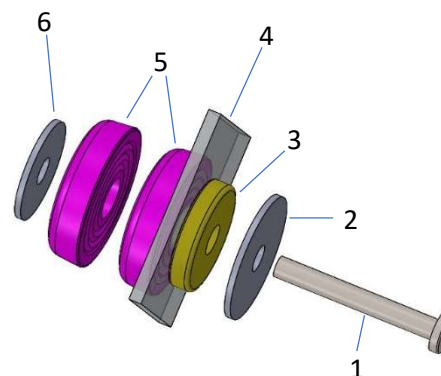
WSHIELD
INTERNAL SIDE



WSHIELD
EXTERNAL SIDE



PREASSEMBLE THE RUBBERS IN THE 4 HOLES AS SHOWN IN THE FIGURE



PROCEED WITH THE ASSEMBLY OF THE WINDSCREEN STARTING FROM THE LOWER HOLES:

ADD TO THE PRE-ASSEMBLED PARTS, THE $\varnothing 30$ WASHER AND THE M6X35 SCREW FROM THE EXTERNAL SIDE.

IN THE INTERNAL PART, ADD THE SECOND RUBBER AND THE $\varnothing 24$ WASHER, WHICH IT WILL SUPPORT ON THE ORIGINAL PLATE; THEREFORE TIGHTEN WITHOUT TIGHTENING.

REPEAT THE OPERATION WITH THE UPPER FASTENINGS, THEN TIGHTEN ALL.

APPLY THE 4 FINAL CLOSING LIDS

1	Bolt M6x35	4
2	Flat washer $\varnothing 30$	4
3	External joint	4
4	Windshield	-
5	Internal joint	8
6	Flat washer $\varnothing 24$	2